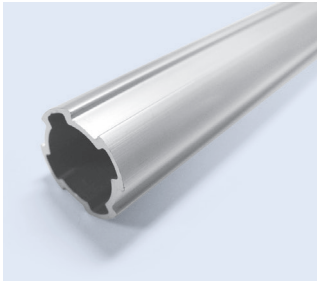


ALUMINUM PIPE

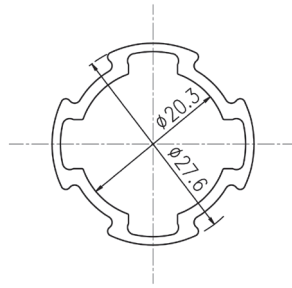
AL Natural Color, SA (Surface Anodizing)

Regular Duty Pipe

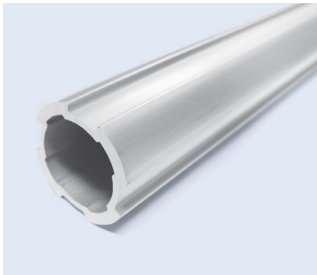


• Weight: 0.378kg/m

*

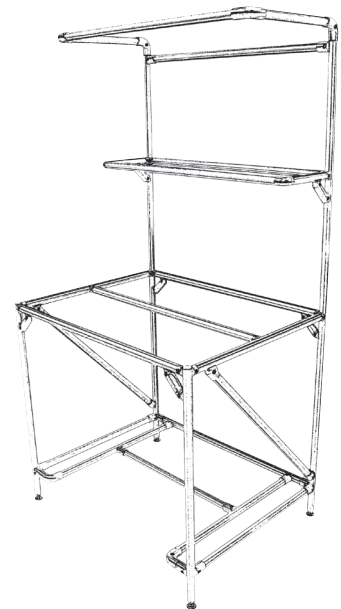
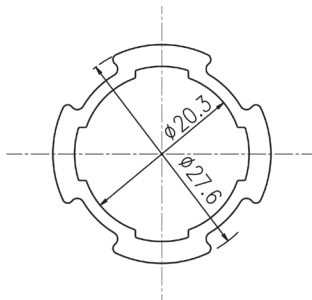


Heavy Duty Pipe



• Weight: 0.479kg/m

*

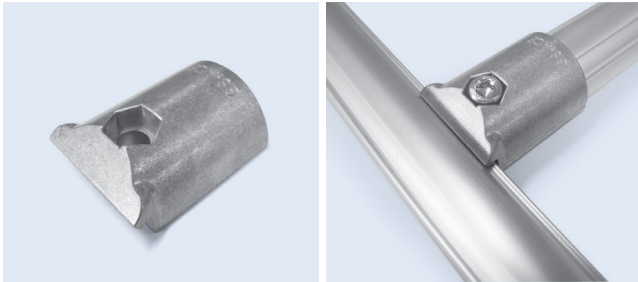


ALUMINUM JOINTS

Outer Joints

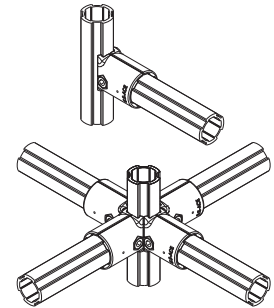
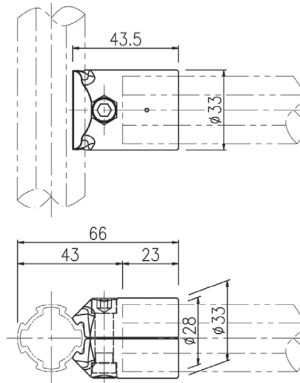
OA-7

Single Tee Joint



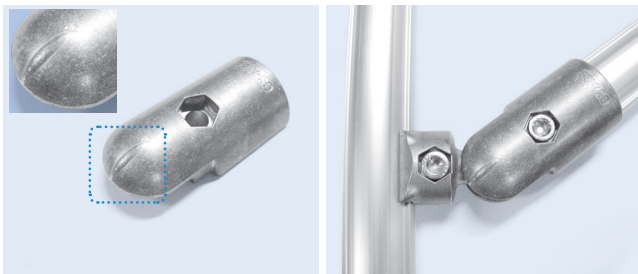
• Weight : 0.023kg

- <AA-001>
- A-001: 2pcs
- M0625/TN06: 1set



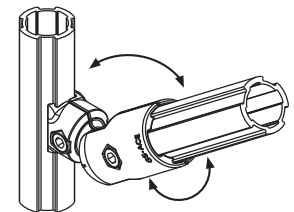
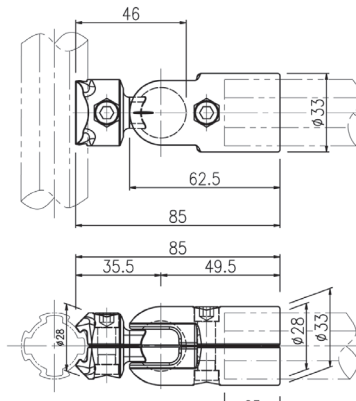
OA-5

Swivel Joint (360° Revolution)



• Weight : 0.031kg

- <AA-007F>
- A-007B: 2pcs, B-007A: 2pcs
- M0625/TN06: 1set, M0620/TN06: 1set



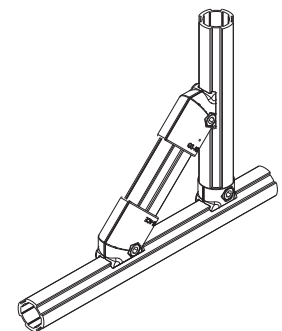
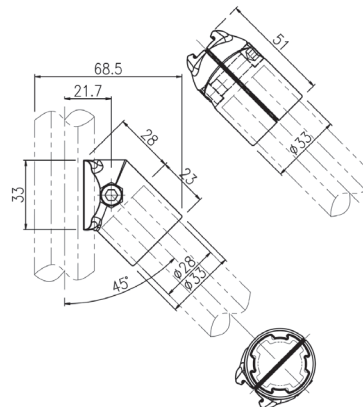
OA-3

45° Joint



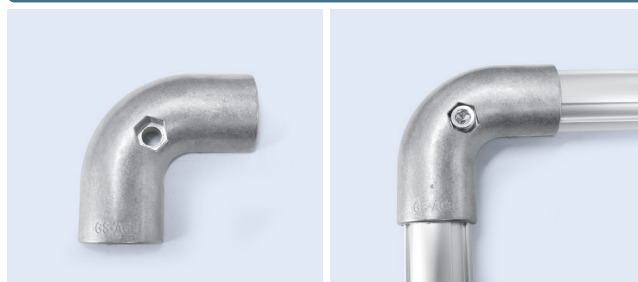
• Weight : 0.023kg

- <AA-013>
- A-013L: 1pcs, A-013R: 1pcs
- M0625/TN06: 1set



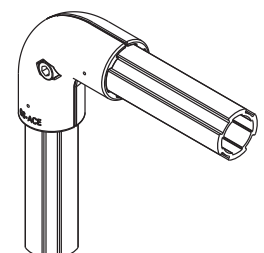
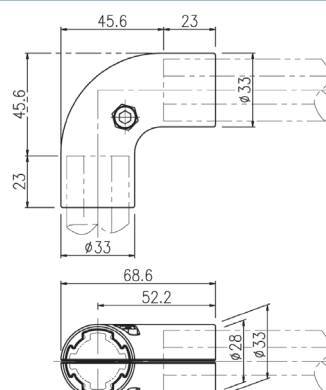
OA-2

90° Elbow Joint



• Weight : 0.050kg

- <AA-090>
- A-090: 2pcs
- M0625/TN06: 1set

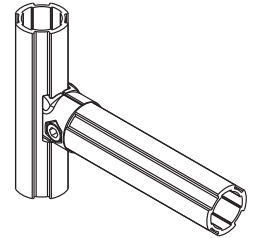
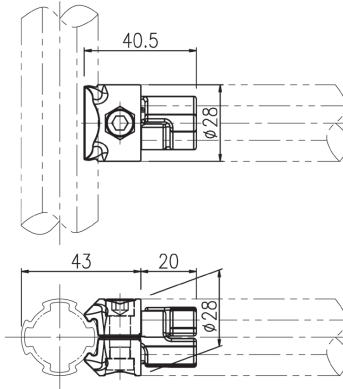
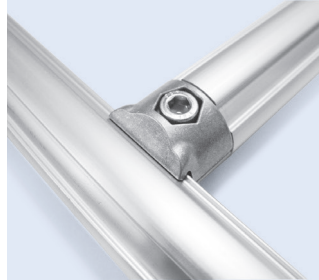
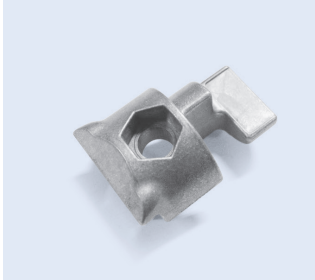


ALUMINUM JOINTS

Inner Joints

OA-1

Single Tee Joint

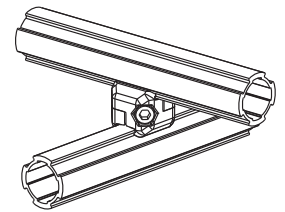
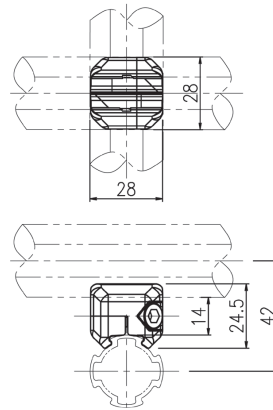


• Weight : 0.018kg

- <BA-001>
- B-001: 2pcs
- M0620/TN06: 1set

OA-8

90° Offset Joint

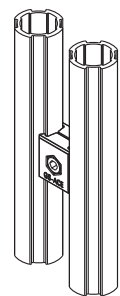
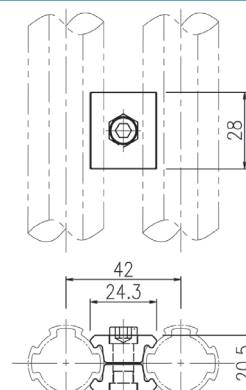
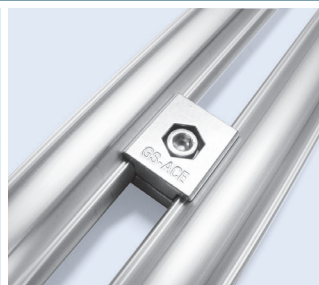
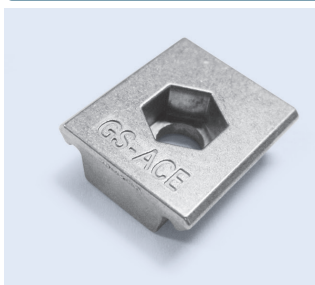


• Weight : 0.012kg

- <BA-006>
- B-006: 2pcs
- M0625/TN06: 1set

OA-6

Parallel Joint

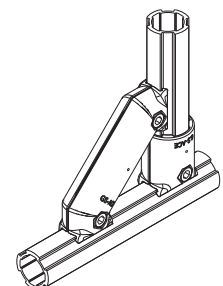
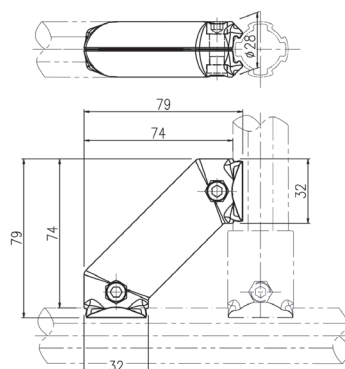
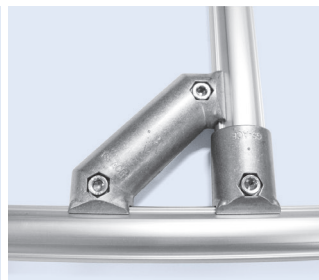


• Weight : 0.009kg

- <BA-008>
- B-008: 2pcs
- M0620/TN06: 1set

OA-4

Corner Joint

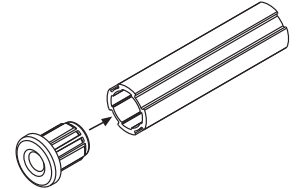
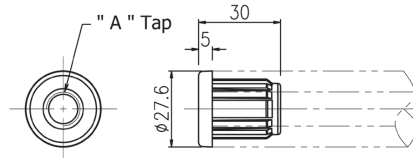
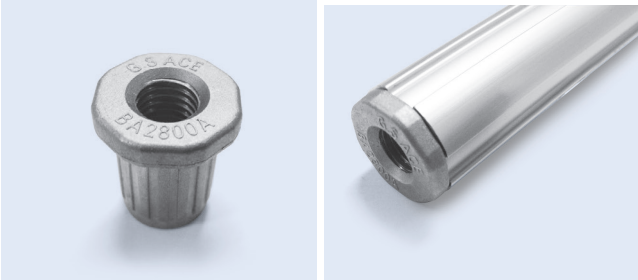


• Weight : 0.048kg

- <BA-045>
- B-045: 2pcs
- M0620/TN06: 2set

ACCESSORIES

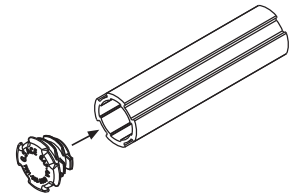
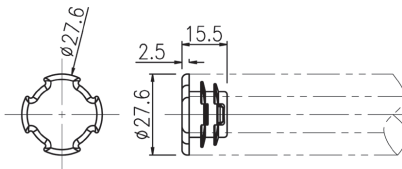
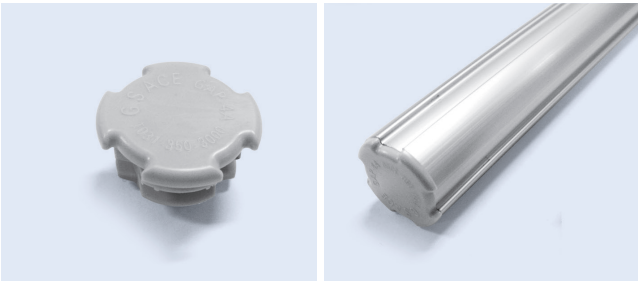
AL Thread Insert



• Weight : 0.017kg

OA-CAP

Inner Cap



• Weight : 0.003kg